

Brock White

Update

July/August/
September
2004

President's Column

Overall economic news remains mostly favorable with increases in GNP, jobs, personal income, consumer spending and corporate profit, but sluggish stock markets, Mid-east wars, government deficits, volatile oil and steel prices, and a hotly contested U.S. election seem to be restraining commercial construction growth in our area over what we thought earlier this year. Residential activity remains very strong even on slightly higher interest rates. On the supply side we are experiencing manufacturing and transportation capacity problems in our much more connected worldwide economy. A couple of our residential product suppliers are struggling with higher than anticipated growth and in-bound freight trucks in the U.S. are becoming scarcer and more expensive. A worldwide cement shortage could impact some product cost and availability this season, but our area is less dependent on imported cement than others. As I've said many times, it's hard to predict the economy, but I do predict our continued dedications to be your **First Choice** of supply for quality construction and specialty products. We are celebrating our **50th year of service** to the construction industry and plan to serve your needs for many years to come.

Thanks again to our customers, vendors, employees and others for helping us celebrate our **50th Anniversary**. It was particularly fun to spend some time with some old-time customers and employees, including George White Sr., one of our founders, who retired from the business 20 years ago. Most of employees had never met George Sr. and his stories about the early days were fascinating. We've both come a long way and yet strive to deliver the same customer service as Wayne Brock and George Sr. and two other employees did 50 years ago. It's been a great ride and the best is yet to come. Thanks for your business and, as always, tell us how we're doing—we need your feedback to do the best possible job. Call or write me anytime or email me at rgarland@brockwhite.com

Sincerely,



Richard D. Garland
President

featured project

110th Ave. Bridge Construction, Thunder Bay

Product Used: **Dayton Richmond
C-60 Heavy Hangers**

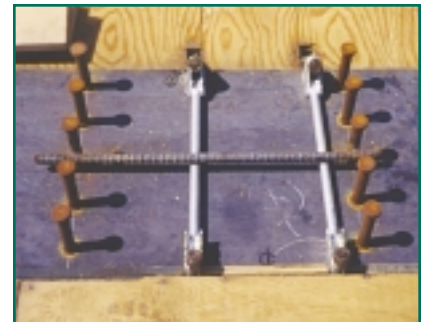
Concrete Forming **Greg Krystalovich Concrete
Contractor: Walls Ltd., Thunder Bay, Ontario**

Design Engineer: **Cook Engineering,
Thunder Bay, Ontario**

Brock White Sales: **Bernie Pechiwa,
Brock White Thunder Bay, Ontario**

Brock White supplied the bridge deck forming hardware on this very visible project. The deck rests on 6 foot deep steel box girders that span 200 feet between three piers. Dayton Richmond C-60 Heavy Hangers were used to support the false work of the deck and overhang. C-60 Type 4A hangers were used on the exterior application and the C-60 Type 1

were used on the interior application. The bridge is a new 800 foot structure, which was built to replace an old bridge linking McKellar Island to the mainland in the City of Thunder Bay.



Featured Product

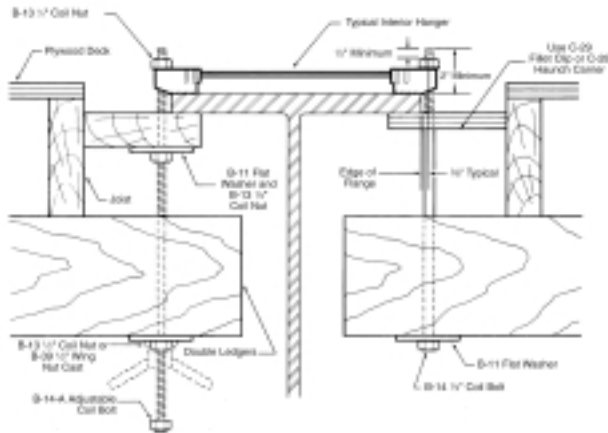


Bridge Deck Forming Hardware

C-60 Pres-Steel Hanger - Type 1 Typical Interior Hanger Application

Interior hangers support the formwork for interior bridge decks. Interior hangers utilize 90° or 15° end sections to support the formwork and are available in various styles to meet the needs of the bridge deck contractor.

Typical Interior Hanger Application



The C-60 Pres-Steel Hanger-Type 1 is used for zero haunch condition and consists of two 1/2" end sections welded to a single wire strut. The hanger allows installation and adjustment from the top of the formwork and works equally well on steel or precast concrete beams.

Note: the C-60 Pres-Steel Hanger-Type 1 is designed to be used with full bearing under the end sections. It is essential to check the exact beam width dimensions before ordering.

Warning: Hangers must be equally loaded on both sides.

C-60 45° Pres-Steel Hanger: Type 4-A Typical Exterior Hanger Application

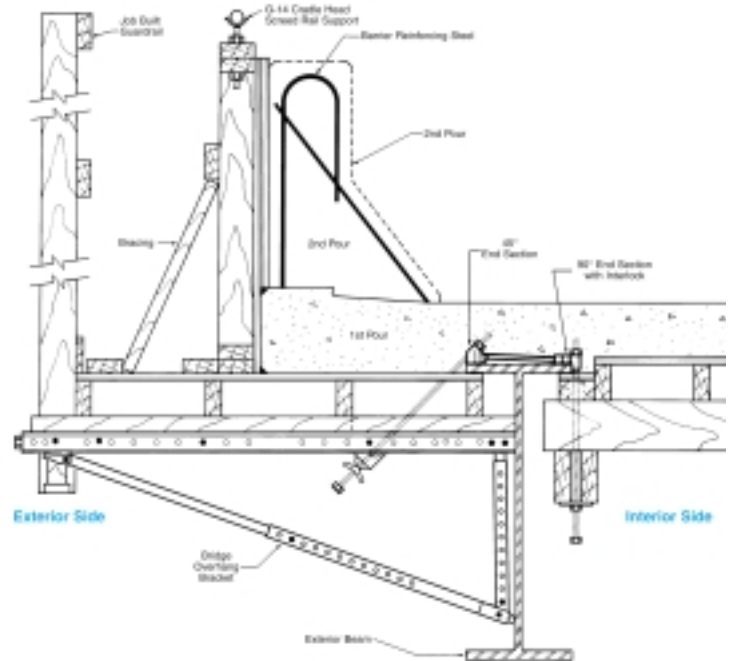
Exterior hangers support the bridge deck overhang (fascia) formwork. An exterior hanger generally utilizes two

different types of end sections, a 90° end to support the interior side forming and a 45° end to support the overhang bracket on the exterior side.

The C-60 45° Pres-Steel Hanger-Type 4-A is fabricated with a 90° 1/2" interlock type end section and a 1/2" 45° end section welded to a substantial wire strut. The Type 4-A hanger is a high strength hanger used to support bridge deck exterior formwork and is especially designed to react to lateral forces prevalent in many forming conditions.

These hangers are available with the addition of a supplemental 1/2" 90° end section to facilitate support of certain job site fabricated overhang forming. Safe working load of the supplemental end is 750 pounds with an approximate 2 to 1 safety factor.

Typical Exterior Hanger Application



Typical Section at Overhang



Fibre Tube & Core

Concrete column forms are the fast, modern way to pour cylindrical columns of concrete. They provide a round column at less cost than a comparable rectangular form.

Forms are available in both Regular and Light Wall construction. Regular Wall is recommended for most column work but Light Wall can be safely and economically used for footings on columns up to 12 feet in height. The form provides a finished surface on the column, largely eliminating the cost of additional finishing work. These forms are light in weight, can easily be carried and sawed to desired length at the construction site.

The forms are available in a variety of diameters and lengths at all Brock White locations. Select locations can cut these to length per order.



Brock White Company's Reference Guide To BMP's (Best Management Practices) for Erosion & Sediment Control near Wetlands to meet D.F.O.'s Standards

EPA Structural Best Management Practice	Function	Brock White Product
Mulch	Soil and seed protection; moisture retention. (Temporary Cover Stock Piles)	Hydro Mulch
Vegetation	Protects topsoil from the ravages of wind, rain and storm water runoff.	Hydro Mulch Erosion Control Blankets Turf Reinforcement Mats (North American Green, E.C.B. Bio Products & American Excelsior)
Grass Swales	Filtration of runoff to help reduce pollutants	Hydro Mulch Erosion Control Blankets Turf Reinforcement Mats Grasspave ² and Gravelpave ² (Invisible Structure)
Storm Water Wetlands	Breakdown and filtration of pollutants; improvement of wildlife habitat; help alleviate downstream flooding.	Hydro Mulch Erosion Control Blankets Turf Reinforcement Mats (North American Green, E.C.B. Bio Products & American Excelsior) Grasspave ² & Gravelpave ² (Invisible Structure) Coir Mats (King Fibre) Coir Fibre Logs (King Fibre)
Silt Fencing & Inlet Protection	Containment of sediment on jobsites.	Large Variety of Silt Fence Products Stenlogs; Sediment Stop (N.A.G.) Sediment Mat; Enviroberm Dandy Bag; Dandy Bag II Beaver Dam
Sediment Basin/Ponds	Sediment removal from runoff.	Hydro Mulch Erosion Control Blankets Turf Reinforcement Mats Coir Fibre Logs/Stenlog Coir Mats Gabions (Macaferri) Rainstore ³ (Invisible Structure) Floating silt & Turbidity Curtains BioStar CH



BROCK WHITE
COMPANY
CONSTRUCTION MATERIALS



450 Sheppard Street, Winnipeg, MB R2X 2P8

Phone 204-694-3600, Fax 204-694-0800

Garry McFarlane, Product Manager • gmcfarl@brockwhite.com

Winnipeg

204-694-3600, 1-888-786-6426

Thunder Bay

807-623-5556, 1-800-465-6920

Saskatoon

306-931-9255, 1-800-934-4536

Regina

306-721-9333, 1-800-578-3357

www.brockwhite.com



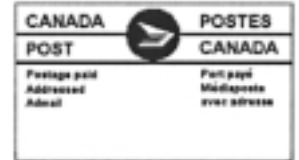
Thunder Bay, Ontario
 (807) 623-5556
Winnipeg, Manitoba
 (204) 694-3600

Regina, Saskatchewan
 (306) 721-9333
Saskatoon, Saskatchewan
 (306) 931-9255



BROCK WHITE COMPANY

PO Box 3900 2, Inkster Park Postal Outlet
 Winnipeg, Manitoba R2X 3B3



Abatement & Safety Products

When it becomes necessary to repair an item in a building containing asbestos, or there is a need to remove asbestos, mold, or products like lead paint, or when something has damaged asbestos-containing material such a pipe and boiler insulation, the need for protective clothing, respirators, vacuums and other equipment is required.

Brock White Company is your "First Choice" for all abatement products.

Some of the products we handle:

- Rip-Proof Polyethylene Sheeting
- Glove Bags: various sizes and types
- Disposable Clothing: Coveralls, hoods, shorts, boot covers, etc.
- Tapes: Duct, foil, poly, etc.
- Disposal Bags: Plain, printed, clear, various sizes
- Spray Adhesives
- Portable Shower Stalls
- Gloves
- Eyewear
- Barricade Tape
- Labels
- Surfactant
- Encapsulates
- Filters
- Vacuums
- Respiratory, Masks, Cartridges, etc.
- Hand Tools: Scrapers, knives, brushes, scrub pads, brooms, etc.

