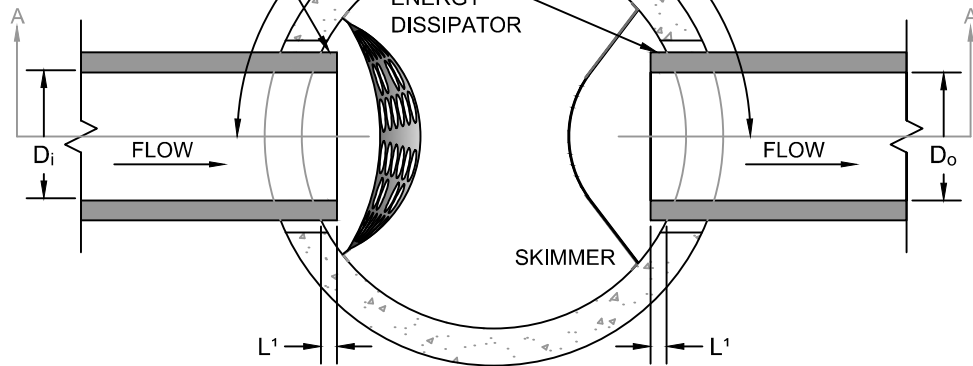


PLAN VIEW

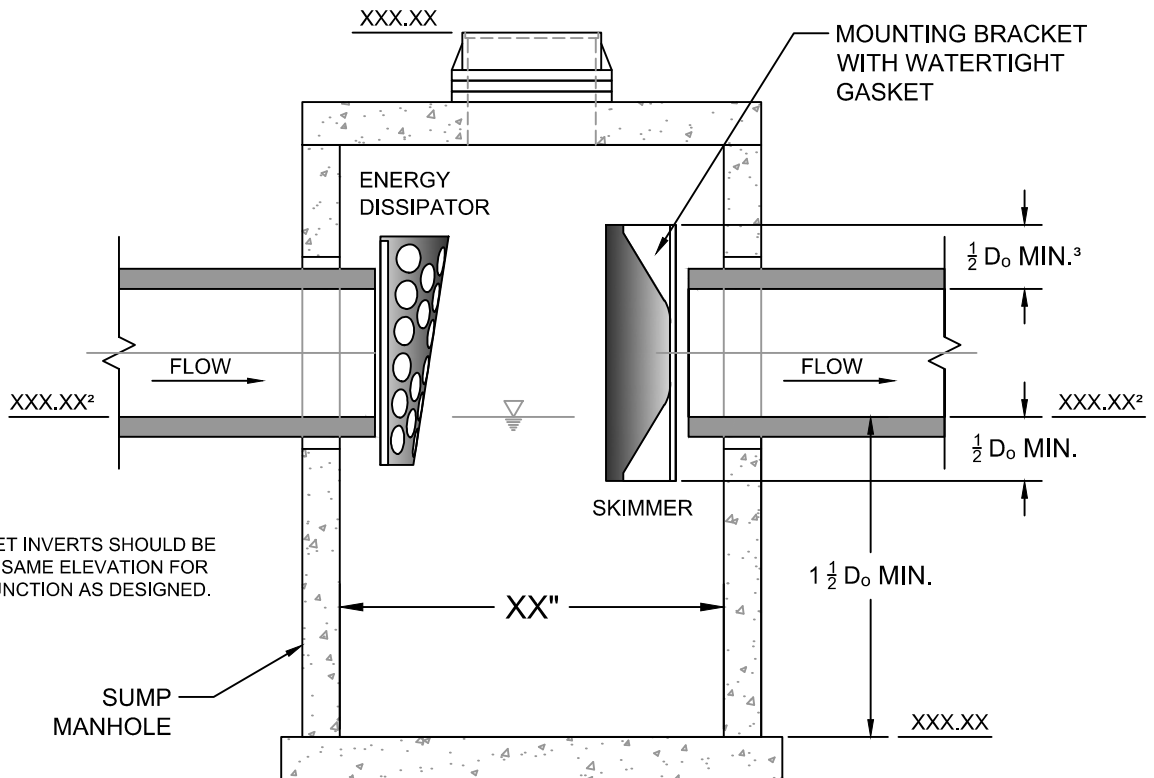
FOR NEW MANHOLE CONSTRUCTION,
CONTRACTOR TO MINIMIZE
PIPE PROTRUSION (L)

REFER TO MANHOLE SIZING
CHART TO ENSURE PROJECT
SPECIFIC DESIGN FEASIBILITY



NOTE 1: STOCK COMPONENTS ARE DESIGNED TO ACCOMMODATE A 6" CONCRETE PIPE PROTRUSION (L, MEASURED AT SIDE OF PIPE). FOR CUSTOM DESIGNS, AND/OR PROJECT SPECIFIC DETAILS, CONTACT MOMENTUM.

CROSS SECTION AA



NOTE 2: INLET AND OUTLET INVERTS SHOULD BE AT APPROXIMATELY THE SAME ELEVATION FOR THE PRESERVER™ TO FUNCTION AS DESIGNED.

NOTE 3: STOCK SKIMMERS HAVE A FREEBOARD DEPTH OF $\frac{1}{2} D_o$. FOR GREATER FREEBOARD DEPTHS, DESIGNERS CAN UPSIZE THE SKIMMER, OR USE A CUSTOMIZED SKIMMER. FOR CUSTOM DESIGNS, AND/OR PROJECT SPECIFIC DETAILS, CONTACT MOMENTUM.

Not to Scale



DISTRIBUTED EXCLUSIVELY IN
MN, ND, SD, & WI BY:

BROCK WHITE
CONSTRUCTION MATERIALS

651-647-0950 • 1-800-880-3210

THE PRESERVER™
ENERGY DISSIPATOR WITH SKIMMER

DESIGNED AND MANUFACTURED BY:

Momentum
ENVIRONMENTAL

MADE IN THE USA

QUALITY MATERIALS
• 100% recycled HDPE
• Stainless steel brackets
• Stainless steel hardware

CONCEPTUAL PLAN DISCLAIMER:

THIS GENERIC DETAIL DOES NOT ENCOMPASS THE SIZING, FIT, AND APPLICABILITY OF THE PRESERVER FOR THIS SPECIFIC PROJECT. IT IS THE ULTIMATE RESPONSIBILITY OF THE DESIGN ENGINEER TO ASSURE THAT THE STORMWATER SYSTEM DESIGN IS IN FULL COMPLIANCE WITH ALL APPLICABLE LAWS AND REGULATIONS. BROCK WHITE COMPANY LLC AND MOMENTUM ENVIRONMENTAL LLC DO NOT APPROVE PLANS, SIZING, OR SYSTEM DESIGNS. THE DESIGN ENGINEER IS RESPONSIBLE FOR ALL DESIGN DECISIONS.